

Specify Your Unit

Model	Size	Wetted Metal	Head	Window	O-Ring

Model	Code
Hy-Sight (shown below)	THY-
Hy-Sight Full View	TFV-

Size	Code	Size	Code
1/4"	04	2"	18
3/8"	06	2-1/2'	20
1/2"	08	3"	22
3/4"	10	4"	24
1"	12	*6"	28
1"A	13	*8"	30
1 1/2"	16		

*6" & *8" Only Available In Full View

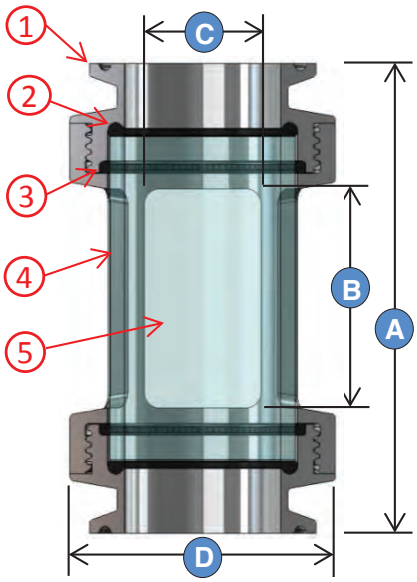
Head Material	Code
316L SS	6L
Hastelloy® C22	H2
Hastelloy® C276	H6
AL6XN®	6X

**"Out-Of-Box"
Compliant**

O-Ring Seal Material	Code
EPDM (302°F/150°C)	E
FKM (Viton®) (392°F/200°C)	V
Silicone, (392°F/200°C) Platinum Cured	S
FEP Encapsulated Silicone (392°F/200°C)	T
Special Material XG	XG

Window Material	Code
Annealed Boro (450°F/232°C)	A
Acrylic (Plexiglas®) (160°F/71°C)	P
Special Material	XW

Head Surface Finish	Code
15 Ra – Electropolished	F4
Special Finish	XF



Hy-Sight™

Item	Description	Qty
①	Head	1
②	Sealing O-Ring	2
③	Alignment O-Ring	2
④	Body	1
⑤	Window Cylinder	1

Size*	A (OAL)		B (View L)		C (View W)		D (Unit OD)		Weight		Pressure	
Tube OD	IN	mm	IN	mm	IN	mm	IN	mm	Lb	Kg	psi	Bar
1/4	2.6	65	0.5	12.6	0.2	6.0	0.9	24	0.33	0.15	300	21
3/8	2.6	65	0.5	11.7	0.4	9.0	0.9	24	0.40	0.18	300	21
1/2	3.0	76	0.9	21.9	0.4	10.0	1.2	30	0.47	0.21	300	21
3/4	3.4	87	1.2	32	0.6	14	1.5	37	0.58	0.26	250	17
1A	3.6	91	1.5	37	0.6	16	1.8	46	0.82	0.37	200	14
1	3.6	91	1.5	37	0.6	16	1.8	46	1.09	0.49	200	14
1 1/2	4.1	105	1.9	49	1.0	26	2.3	59	1.19	0.54	150	10
2	4.7	120	2.5	64	1.4	35	2.9	73	1.62	0.74	125	9
2 1/2	5.9	151	3.7	94	1.8	46	3.5	89	2.52	1.14	125	9
3	6.9	175	4.7	118	2.1	54	4.0	101	1.44	3.18	110	8
4	7.9	200	5.6	144	2.8	70	5.0	126	5.02	2.28	90	6

* Hygienic clamp dimensions are in accordance with ASME-BPE, shown in inches

JACOBY·TARBOX®
Cleanability Matters